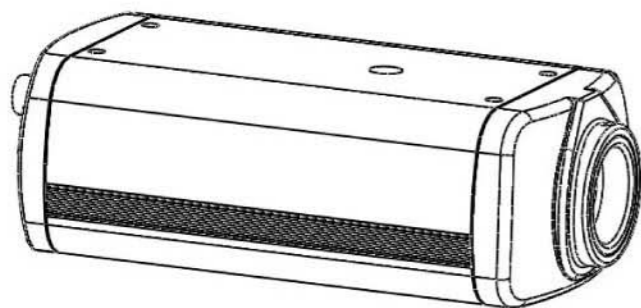


NAC-300

Real-time MPEG-4 Network Camera

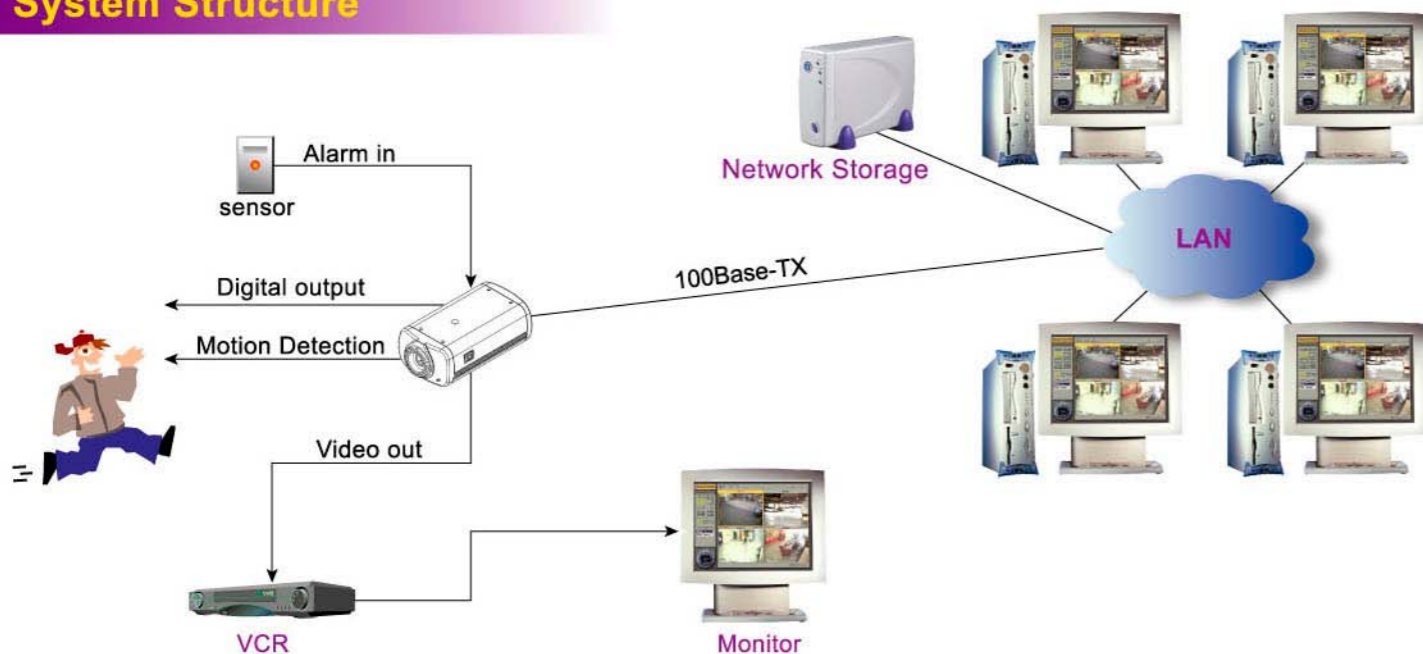


Equipped with powerful MPEG-4 hardware encoding chipset, NAC-300 produces video with maximum frame rate of 30 fps at full-D1 resolution. Beyond the superb video quality, NAC-300 also offers a variety of sophisticated features such as motion detection, multiple recording mode, auto IRIS lens compatible, and recording video without extra software. All these outstanding functionalities make NAC-300 the right choice for network monitoring applications.

Features

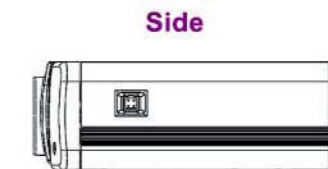
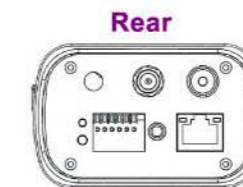
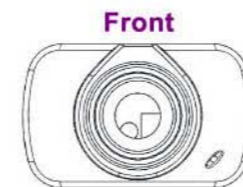
- High resolution CCD sensor
- Real-time MPEG-4 hardware compression
- Multiple Resolution (QCIF, CIF, Half-D1, Full-D1) adjustable
- Motion detection with a variety of Event handling mechanism
- Lens changeable design with auto IRIS function supported
- Auto recording without extra driver or client PC connection

System Structure



NAC-300

Digitalized • Networked • Modularized



Specification

Camera		I/O	
Sensor	High Resolution CCD	Ethernet	RJ-45x1
Effective pixels (HXD)	NTSC: 510x482 PAL: 500x582	Video output	Analog composite with BNC connector x1
Electronic shutter	NTSC: 1 / 60s~1 / 100,000s , auto PAL: 1 / 50s~1 / 110,000s, auto	Sensor in	1
Exposure	Auto / manual / Fixed	Alarm out	1
White balance	Auto	Serial interface	RS-485 (2 pins)
BLC	Auto	Audio in	1 (option)
Min. Illumination	0.5 LUX @F2.0	Software Feature	
Lens type	C/CS mount (with adaptor)	Recording	<ul style="list-style-type: none"> ● Scheduling / manual recording ● Event Triggered recording ● Manual snapshot
Image System		Storage	Windows / NAS / Linux / FTP
Compression	MPEG-4	Event type	Motion Detection / Storage full / Storage failure / Network failure / Sensor input
Resolution	<ul style="list-style-type: none"> ● QCIF (160x122 in NTSC, 176x144 in PAL) ● CIF (352x240 in NTSC, 352x288 in PAL) ● HALF-D1 (720x240 in NTSC, 720x288 in PAL) ● Full-D1 (720x480 in NTSC, 720x576 in PAL) 	Event action	Alarm output / recording / send SMS / send email / Alarm message to client PC
Frame rate	<ul style="list-style-type: none"> ● 30fps at full-D1(NTSC) ● 25fps at full-D1(PAL) 	Motion detection	Multiple sensitivity windows
Bit rate	5 level adjustable	Authentication	Administrator / common user
Image	Brightness / Hue / Saturation / contrast	System	Firmware update / user setting backup and restore / system log / user log
File format	MPEG4 / AVI	Playback	Windows Media Player
Network		General	
Ethernet	10/100 base-T x1	Weight	490g
Protocol	TCP/IP, UDP, HTTP, PPPoE, DDNS, DHCP, SMTP, FTP, NTP, NFS, Samba	Dimensions (WxHxL)	70 x 50 x 140 (mm)
Client		Power Requirement	12V / 1A / 12W
OS	Windows 2000, XP	Operation Temp	5~40 °C
Browser	Internet Explorer 5.5 or above	Operation Humidity	0~90% RH
		Accessories	QIG / CD-ROM / Power Adaptor / Bracket / Standard Lens / Ethernet Cable

Order Information

- NAC-300 Real-time MPEG-4 Network Camera



2F, No. 52, Sec. 3, Nangang Rd., Taipei, 115, Taiwan, R.O.C.
 TEL: 886-2-2782-6808 FAX: 886-2-2782-7292
 Http:// www.qnap.com.tw E-mail:sales@qnap.com.tw